



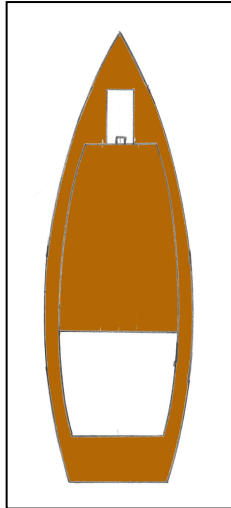
# SAFETY NOTICES



## Designated External Crew Areas

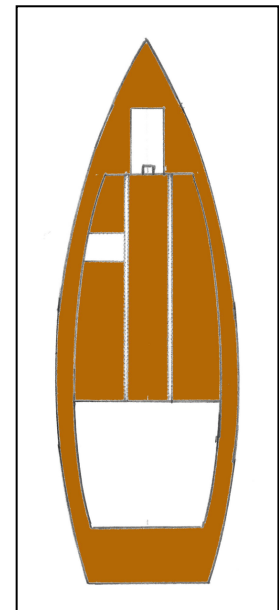
With non-slip surfaces

Shown in brown



Hustler Class & Wood Class

Suitable sailing attire and footwear with non-slip soles should be worn at all times  
The cockpit seats are varnished seats - take care when stepping in and out

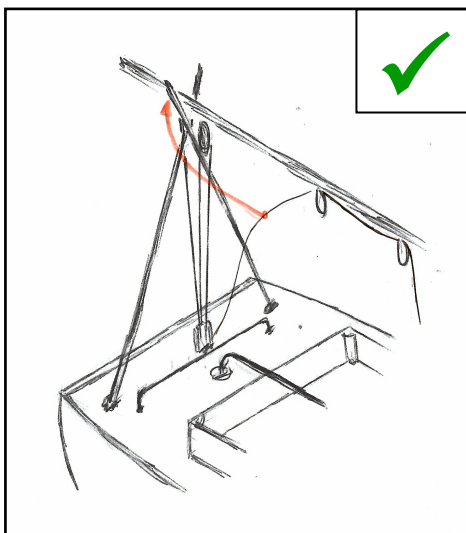


Lullaby Class

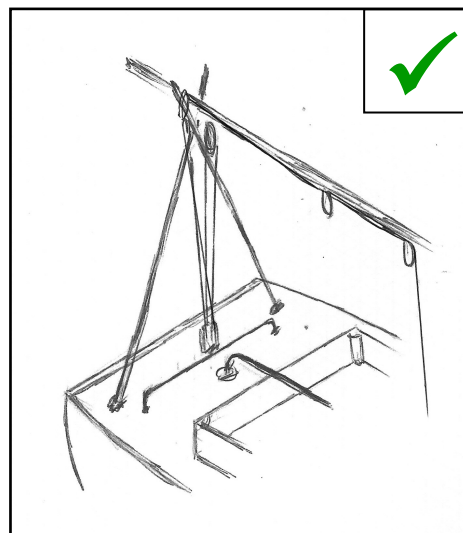
## Handholds

Handholds are fitted to all cabin tops. The mast, forestay, mooring rings and well coaming are all suitable as handholds. When moored and the cabin top is covered by the awning, the boom is also a suitable handhold but it must be secured firmly in the crutches.

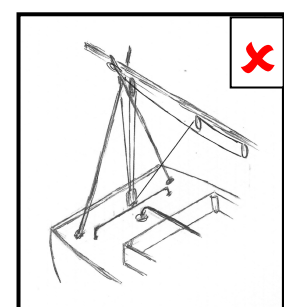
The best way to secure the boom in the crutches is to take the fall of the mainsheet from the horse block (the line that is going up to the block above the well), pull it up tightly and then secure it to the crutches with a clove hitch. The boom is then secure and provides a safe handhold.



1



2



Not good